



USS

Controlling and signalling modules

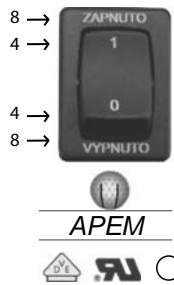


Characteristics

- designated for switching, controlling and signalling by auxiliary any power circuits
- new innovative solution of previous controlling and signalling modules OS
- USS - "Do It Yourself" = it is possible to "click into" different types of switches and signalling units into the basic module
- units are delivered individually, configurations are executed by user
- 15 types of units: switches, push buttons, illuminated switches, signal lights of different colours including flashing lights
- units are replaceable also for future (for example when an application is changed, extended, etc...)
- it is possible to place up to two units into one MODULE (for example 2x switch, 2x signalling lights or combinations) = when compared with competitors it is saving place in a switch board
- 1-MODULE (90 x 17.6 x 64 mm / 3.5" x 0.7" x 2.5"), DIN rail mounting
- operating temperature -20.. +55 °C
- clamp terminals, screw M3 combined head, screwdriver pozidrive No.1

Laser marking

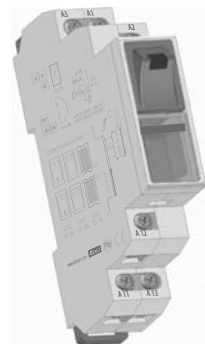
max. number of symbols



Switching units (01-09) come from a well-known French company APEM. Quality of switches is guaranteed by many years of experience in this field (since 1952) and by world-approved certificates VDE a UL. A unique switching mechanism ensures long-term life of switching with continual parameters.

Switches and buttons are marked by laser according to your request in case you order 50 pcs and more.

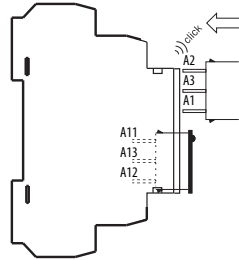
Example of an order



USS-ZM + USS-07 + USS-11

Make your own device USS - easy and intelligent solution!

Means of assembly



Positions:

When only one position is engaged, the other position has to be blinded by a blind flange USS-00.

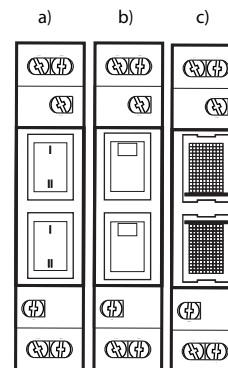
While assembling it is necessary to click a switch or control light in the module USS-ZM correctly. In case of insufficient connection of modules USS-ZM and USS-01-15, there is a danger of transition resistance.

Dismounting of USS modules:

We do not recommend dismounting of the module USS because the assembled device is tightly connected and there is a possibility of damaging the housing, switches, or control light.

Note: with load over 300 VA is necessary to ensure sufficient cooling.

Orientation of switches, alternating switches, and control lights in USS-ZM modules

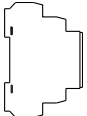



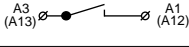
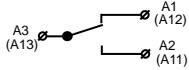
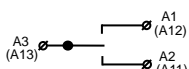
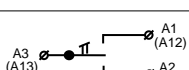
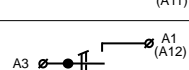
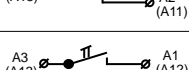
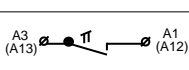

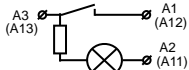



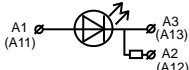
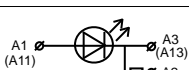

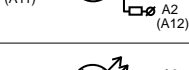

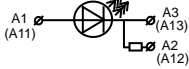


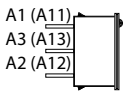
To ensure correct function of USS modules it is necessary to observe the correct Orientation of switches, alternating switches, and control lights.

a) Correct orientation of switches and alternating switches is valid for types USS-01-06.

b) Correct orientation of switches with back-light USS-07-09.

c) Correct orientation of control lights USS-10-15. The jog needs to point to the centre.

a		b	c
	USS-ZM		x
	USS-00	x	x
a/I. 	USS-01		6 A / 250 V
	USS-02		8 A / 250 V
	USS-03		6 A / 250 V
	USS-04		6 A / 250 V
	USS-05		6 A / 250 V
	USS-06/S		8 A / 250 V
	USS-06/R		8 A / 250 V
a/II. 	USS-07		10 A / 250 V
	USS-08		10 A / 250 V
	USS-09		10 A / 250 V
a/III. 	USS-10		A1-A2, AC 250 V A1-A3, AC/DC 24 V
	USS-11		A1-A2, AC 250 V A1-A3, AC/DC 24 V
	USS-12		A1-A2, AC 250 V A1-A3, AC/DC 24 V
	USS-13		A1-A2, AC 250 V A1-A3, AC/DC 24 V
	USS-14		A1-A2, AC 250 V A1-A3, AC/DC 24 V
	USS-15		A1-A2, AC 250 V A1-A3, AC/DC 24 V



a) Name

USS-ZM - basic MODULE (housing with terminals and contacts)

USS-00 - blind flange - Used to fill in an empty position in the front panel of the USS Module. Dimensions: 21 x 15 x 7 mm (0.83" x 0.59" x 0.28"). Color: Grey, RAL7035 (the same as the housing).

a/I. SWITCHES, PUSH BUTTONS - they have a low uplift and a large fingerboard. Thanks to this design and switching mechanism they fulfil high expectations for number of switching and contact quality. Dimensions: 21 x 15 x 20 mm (0.83" x 0.59" x 0.79").

USS-01 - switch

USS-02 - alternation switch

USS-03 - switch with cental position

USS-04 - switch + button with central position

USS-05 - switching button with central position

USS-06/S - NO switch

USS-06/R - NC switch

a/II. SWITCHES WITH GLOW LAMP - switch and signalization in one unit. Signalization is carried out by a glow lamp in dolly including series resistance. It is possible to instal it for permanent indication or for an intermittennd by contact of the switch. Colours: red, green, yellow. Supply voltage of the signalling light: AC 250 V. Dimensions: 21 x 15 x 20 mm (0.83" x 0.59" x 0.79").

USS-07 - switch with glow lamp (red)

USS-08 - switch with glow lamp (green)

USS-09 - switch with glow lamp (yellow)

a/III. SIGNALLING LIGHT - high luminance is ensured by SMD LED diode, which equally illuminates by its colour all surface of the transparent signalling light. It is possible to supply the signalling ligt by AC 230 V, and also by AC/DC 24 V with minimal input. Red sig. light is delivered also in a flashing version. - unit: 14. Colours: red, green, yellow, white, blue. Dimensions: 21 x 15 x 14 mm (0.83" x 0.59" x 0.55").

USS-10 - signalling LED (red)

USS-11 - signalling LED (green)

USS-12 - signalling LED (yellow)

USS-13 - signalling LED (white)

USS-14 - signalling LED flashing (red)

USS-15 - signalling LED (blue)

b) Connection

c) for switches - rated current / voltage
for signalling lights - supply voltage

Warning

Device is constructed for connection for 1-phase main voltage or AC/DC 24 and must be installed according to norms valid in existing state. Installation, connection, setting and servicing For right device protection should be fronted-end certain element. Before starting installation must be main switch in position „SWITCH OFF“ and device should be out of voltage. Don't install device to suppliers surcharge electro-magnetic interference. By right installation of device is provide good air circulate to don't pass maximal operating temperature, in case of higher ambient temperature and permanent working. For installation and setting use screw-driver cca 2 mm. The device is full-electronic - installation should be effected according to this. Function without problems is too dependent on previous type of transportation, storing and manipulation. In case of any vestige of destruction, deformation, non-function or missing part, don't install and made claim to seller. Product may be ,after passing operating time, disassembled, recycled or puted on protected tip. Connection according to the details in this direction. should be installed by qualified electrician staff only, who learn this instruction and functions of device