
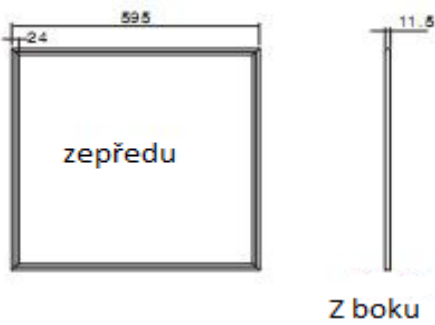
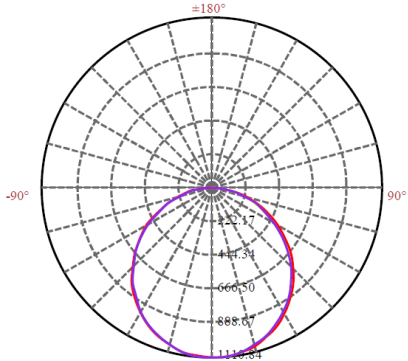


| Specifikace LED produktů | | | | | | | | | | | | | | | | | | | | | | | | |
|--|-----------------------------------|-----------------|------------|---|---|------------|------|------|-----------|-------|-------|-----------|-------|-------|-----------|-------|-------|-----------|-------|-------|----------|-------|-------|---------------------|
| LP-6060-3000-3K7 | | | | | | | | | | | | | | | | | | | | | | | | |
| <i>DESIGN</i> | SPECIFIKACE: 595 X 595 X 11, 5 mm | | | | | | | | | | | | | | | | | | | | | | | |
|  | Model: LP-6060-3000-3K7 | | | | | | | | | | | | | | | | | | | | | | | |
| | Příkon: 45 W | | | | | | | | | | | | | | | | | | | | | | | |
| | Faktor výkonu: > 0,9 | | | | | | | | | | | | | | | | | | | | | | | |
| | Vstupní napětí: 110 - 240 V | | | | | | | | | | | | | | | | | | | | | | | |
| | Dodávka proudu: 160~500mA | | | | | | | | | | | | | | | | | | | | | | | |
| <i>ROZMĚRY</i> | CTC: 3000 K | | | | | | | | | | | | | | | | | | | | | | | |
|  | CRI: > 80 | | | | | | | | | | | | | | | | | | | | | | | |
| | Hodnota Lumenu: 3000 lm | | | | | | | | | | | | | | | | | | | | | | | |
| | Účinnost Lumenu: > 65 | | | | | | | | | | | | | | | | | | | | | | | |
| | Zdroj světla: Samsung 5630 | | | | | | | | | | | | | | | | | | | | | | | |
| | Úhel paprsku: 120 stupňů | | | | | | | | | | | | | | | | | | | | | | | |
| | Candela: | | | | | | | | | | | | | | | | | | | | | | | |
| | LED množství: 120 ks | | | | | | | | | | | | | | | | | | | | | | | |
| <i>FOTOMETRICKÉ ÚDAJE</i> | Životnost: 50 000 hod. | | | | | | | | | | | | | | | | | | | | | | | |
|  <table border="1" style="margin: 0 auto;"> <caption>Illuminance at a Distance</caption> <thead> <tr> <th rowspan="2">Center Beam LUX</th> <th colspan="2">Beam Width</th> </tr> <tr> <th>V</th> <th>H</th> </tr> </thead> <tbody> <tr> <td>277.57 LUX</td> <td>5.8m</td> <td>6.0m</td> </tr> <tr> <td>69.39 LUX</td> <td>11.6m</td> <td>12.0m</td> </tr> <tr> <td>30.84 LUX</td> <td>17.4m</td> <td>18.0m</td> </tr> <tr> <td>17.35 LUX</td> <td>23.2m</td> <td>24.0m</td> </tr> <tr> <td>11.10 LUX</td> <td>29.0m</td> <td>30.0m</td> </tr> <tr> <td>7.71 LUX</td> <td>34.8m</td> <td>35.9m</td> </tr> </tbody> </table> <p style="font-size: small; margin-top: 5px;">Vert.Spread:110.8 Horiz.Spread:112.6</p> | Center Beam LUX | Beam Width | | V | H | 277.57 LUX | 5.8m | 6.0m | 69.39 LUX | 11.6m | 12.0m | 30.84 LUX | 17.4m | 18.0m | 17.35 LUX | 23.2m | 24.0m | 11.10 LUX | 29.0m | 30.0m | 7.71 LUX | 34.8m | 35.9m | Průměrná váha: 5 kg |
| | | Center Beam LUX | Beam Width | | | | | | | | | | | | | | | | | | | | | |
| | V | | H | | | | | | | | | | | | | | | | | | | | | |
| | 277.57 LUX | 5.8m | 6.0m | | | | | | | | | | | | | | | | | | | | | |
| | 69.39 LUX | 11.6m | 12.0m | | | | | | | | | | | | | | | | | | | | | |
| | 30.84 LUX | 17.4m | 18.0m | | | | | | | | | | | | | | | | | | | | | |
| | 17.35 LUX | 23.2m | 24.0m | | | | | | | | | | | | | | | | | | | | | |
| | 11.10 LUX | 29.0m | 30.0m | | | | | | | | | | | | | | | | | | | | | |
| | 7.71 LUX | 34.8m | 35.9m | | | | | | | | | | | | | | | | | | | | | |
| | Typ žárovky: LED Panel | | | | | | | | | | | | | | | | | | | | | | | |
| Základna: | | | | | | | | | | | | | | | | | | | | | | | | |
| Provozní prostředí: | | | | | | | | | | | | | | | | | | | | | | | | |
| CERTIFIKÁTY: | | | | | | | | | | | | | | | | | | | | | | | | |
| <input checked="" type="checkbox"/> CE <input type="checkbox"/> UL/CUL <input type="checkbox"/> ETL/CETL <input type="checkbox"/> PROCEL <input type="checkbox"/> SAA <input type="checkbox"/> EST <input type="checkbox"/> Energy Star <input checked="" type="checkbox"/> FCC <input type="checkbox"/> SABS <input type="checkbox"/> ENCE <input type="checkbox"/> others | | | | | | | | | | | | | | | | | | | | | | | | |
| STANDARDY: | | | | | | | | | | | | | | | | | | | | | | | | |
| <input type="checkbox"/> IEC60598 <input checked="" type="checkbox"/> UL1993+UL8750 <input checked="" type="checkbox"/> CISPR15 <input type="checkbox"/> FCC 47 part 18 <input checked="" type="checkbox"/> IEC61000-3-2/3 <input type="checkbox"/> IEC61547 <input type="checkbox"/> IEC60969 <input type="checkbox"/> IEC62471 | | | | | | | | | | | | | | | | | | | | | | | | |